



DECLARATION OF PERFORMANCE

DOP Ref: QL-B7-COURSING UNITS

1. Unique Identification code of Product type

2.

Code	Description	Length (mm)	Width (mm)	Height (mm)
QLCB7001 Seven	Brick Coursing Unit	215	100	65
QLSB001(100mm) Seven	100 x 100mm Soap Bar	440	100	100
QLSB001(100x140mm) Seven	100 x 140mm Soap Bar	440	100	140
QLSB006(100x150mm) Seven	100 x 150mm Soap Bar	440	100	150
QLSB006(150x150mm) Seven	150 x 150mm Soap Bar	440	150	150

2. Type, Batch or Serial Number or any other Element allowing identification of the Product
See Point 1

3. Intended use or uses of the product, in accordance with the applicable harmonised technical specification

For use in the construction of load bearing and non-loadbearing solid internal and external walls, above and below the damp proof course and the inner and outer leaves of cavity walls

4. Name and registered address of manufacturer

Quinn Building Products, 235 Ballyconnell Road, Derrylin, Co. Fermanagh, Northern Ireland, BT92 9GP

5. Where applicable, name and contact address of the authorised representative whose mandate covers tasks specified in Article 12(2):

Not Applicable

6. System or systems of assessment and verification of constancy of performance of the construction product as set out in CPR, Annex V:

System 2+

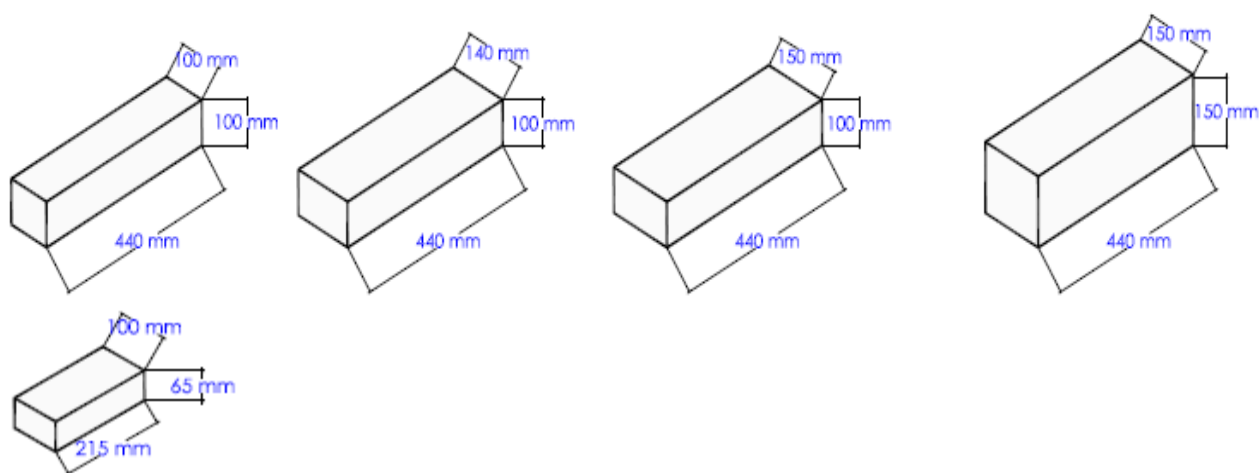
7. In case of the declaration of performance concerning a construction product covered by a harmonised standard:

The notified product certification body, British Standards Institution (Notified Body reference no. 0086) has performed the initial inspection of the manufacturing plant and of factory production control, the continuous surveillance, assessment and evaluation of factory production control before placing the product on the market under system 2+ and issued the certificate of constancy of performance.

8. Declared Performance

Essential Characteristics		Performance					Harmonised Technical Specification
Dimensions <i>mm</i>	Length(s)	440	440	440	440	215	BS EN 771-4:2011+A1:2015
	Width(s)	100	140	150	150	100	
	Height(s)	100	100	100	150	65	
Configuration		Solid Group 1					
Dimensional Tolerances		D1					
Compressive Strength unit category		I					
Mean Compressive Strength N/mm^2		7.5					
Dimensional Stability (Shrinkage) mm/m		0.4					
Shear Bond Strength N/mm^2		0.15 (Annex C BS EN 998-2)					
Flexural Bond Strength N/mm^2		NPD					
Reaction to Fire		A1 (Commission decision 2000/605/EC)					
Water Absorption $g/m^2s^{0.5}$		NPD					
Water Vapour Diffusion coefficient μ		5/10 (Tabulated values BS EN 1745)					
Durability against freeze thaw		NPD (not to be left exposed)					
Gross Dry Density Kg/m^3		760					
Thermal Conductivity $W/m.k$		0.17 ($\lambda_{10,dry}$)					
Dangerous Substances		See footnote					
Note: Information on dangerous substances will only be given when and where required in the appropriate form. See Annex ZA.3 of BS EN 771-4:2011							

Configuration(s)



9. The performance of the product identified in points 1 and 2 is in conformity with the declared performance in point 8. The declaration of performance is issued under the sole responsibility of the manufacturer identified in point 4.

Authorised by: Liam McCaffrey
Position: CEO
Date of Issue: 5th March 2018



Quinn Building Products
235 Ballyconnell Road, Derrylin, Co.
Fermanagh, Northern Ireland,
BT92 9GP

EN 771-4:2011+A1:2015

Specification for masonry units – Part 4: Autoclaved Aerated Concrete Masonry Units

13

0086-CPR-597549

Dimensions (mm)	Declared Values	Refer to table in Section 8 of DoP
Configuration	Declared	Group 1 units according to EN 1996-1-1 (EC6)
Dimensional Tolerances	Declared Category	D1
Compressive Strength unit category	Declared Category	I
Mean Compressive Strength N/mm^2	Declared Value	7.5
Dimensional Stability (Shrinkage) mm/m	Declared Value	0.4
Shear Bond Strength N/mm^2	Declared Value	0.15 (Annex C BS EN 998-2)
Flexural Bond Strength N/mm^2	Declared Value	NPD
Reaction to Fire	Declared Category	A1 (Commission decision 2000/605/EC)
Water Absorption $g/m^2s^{0.5}$	Declared Value	NPD
Water Vapour Diffusion coefficient μ	Declared Value	5/10 (Tabulated values BS EN 1745)
Durability against freeze thaw	Declared	NPD (not to be left exposed)
Gross Dry Density Kg/m^3	Declared Value	760
Thermal Conductivity $W/m.k$	Declared Value	0.17 ($\lambda_{10,dry}$)
Dangerous Substances	Declared	See footnote

Note: Information on dangerous substances will only be given when and where required in the appropriate form.
See Annex ZA.3 of BS EN 771-4:2011